

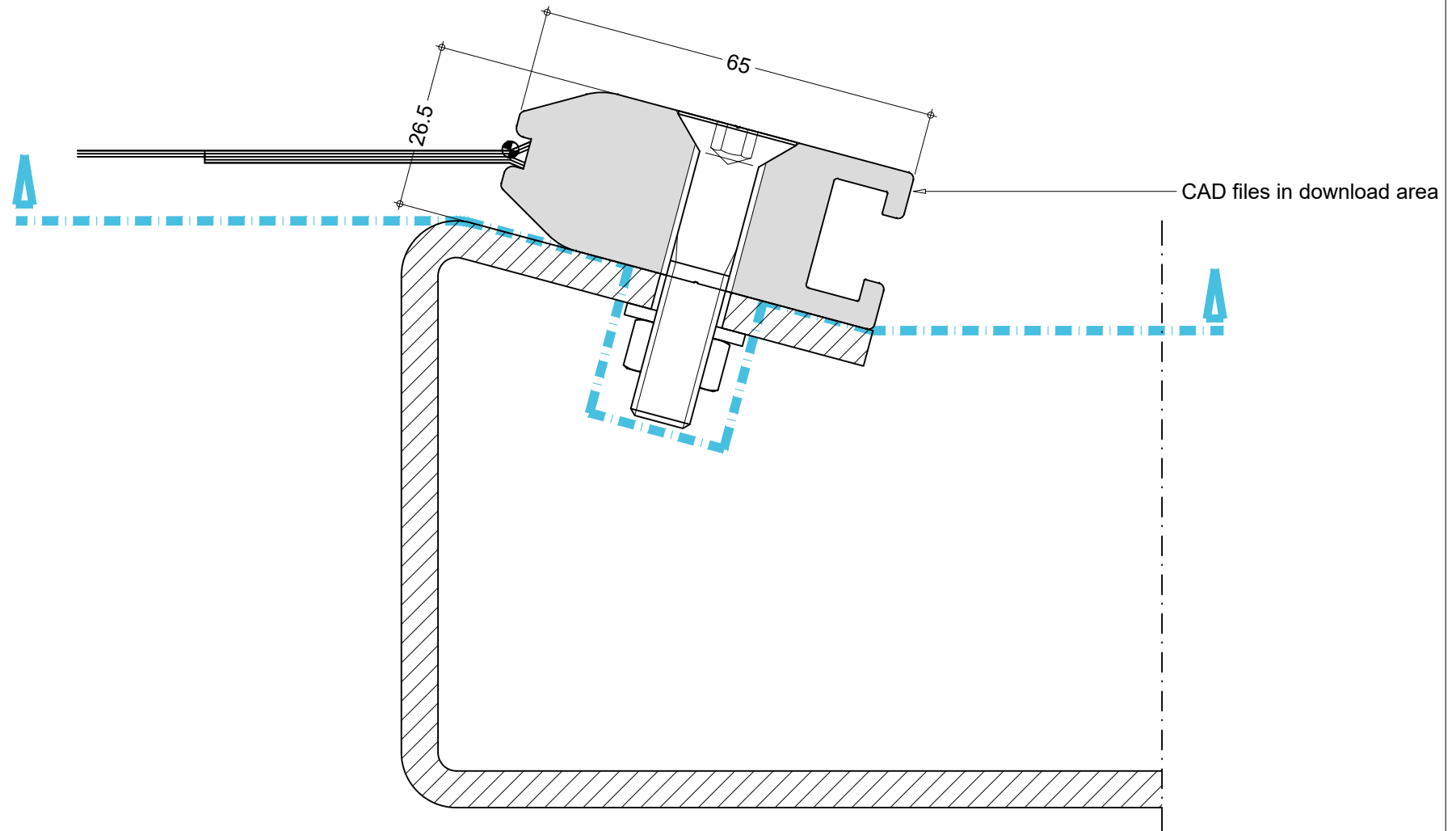
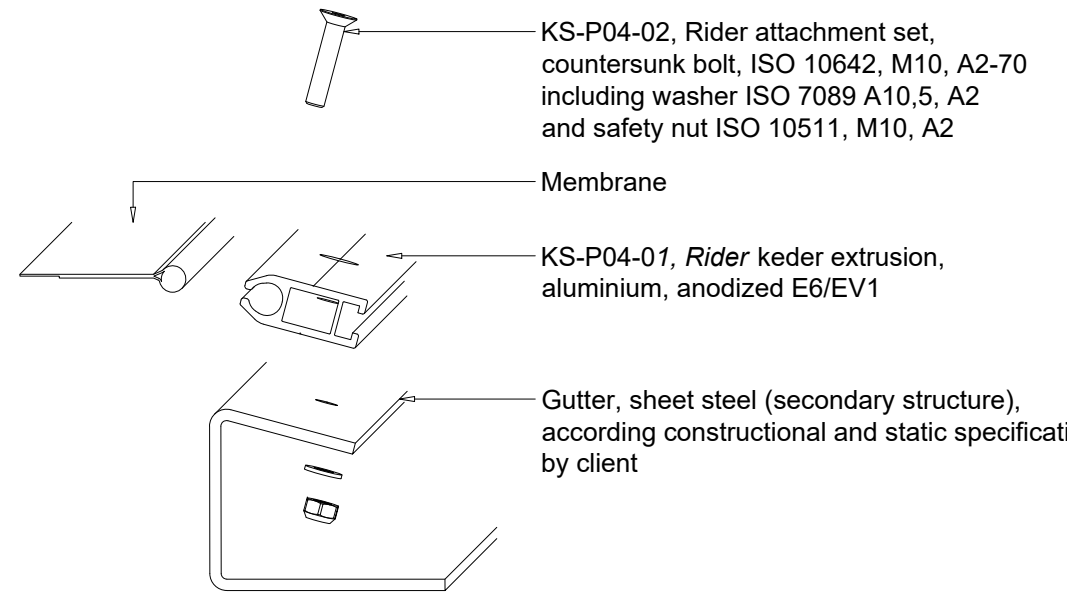
PERSPECTIVE

01
| 06-01

SECTION

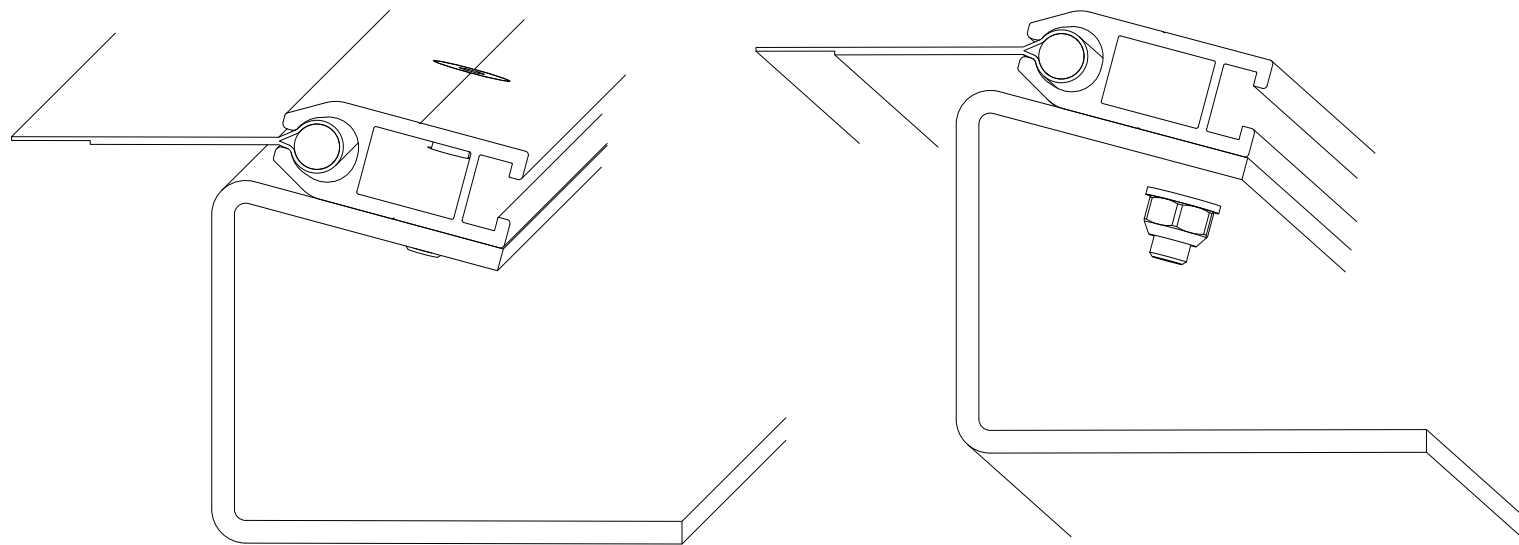
SCALE 1:1


01
| 06-01



PERSPECTIVE

02
| 06-01



Service of konstrukt AG						
 <p>konstruct AG Am Rossacker 9, 83022 Rosenheim, Germany www.konstrukt-ag.com / info@konstrukt-ag.com</p>	Drawn AW	Approved MJ	Date 2020-10-09	DIN A3	Rev. 0	
	Drawing Name Overview Drawing Bolted Through				Proj. No. KS-P04-02	Dwg. No. 06-01
	Project KS-P04-02, System Rider					
Rev.	Date	by	Revision			

Privacy & Copyright
- This drawing and its contents is the intellectual property of the konstrukt AG and thus legally protected! Any use, publication, reproduction, revision, or transfer to third parties requires the written approval of the konstrukt AG.
- Drawings in PDF format are valid only dated and proved.

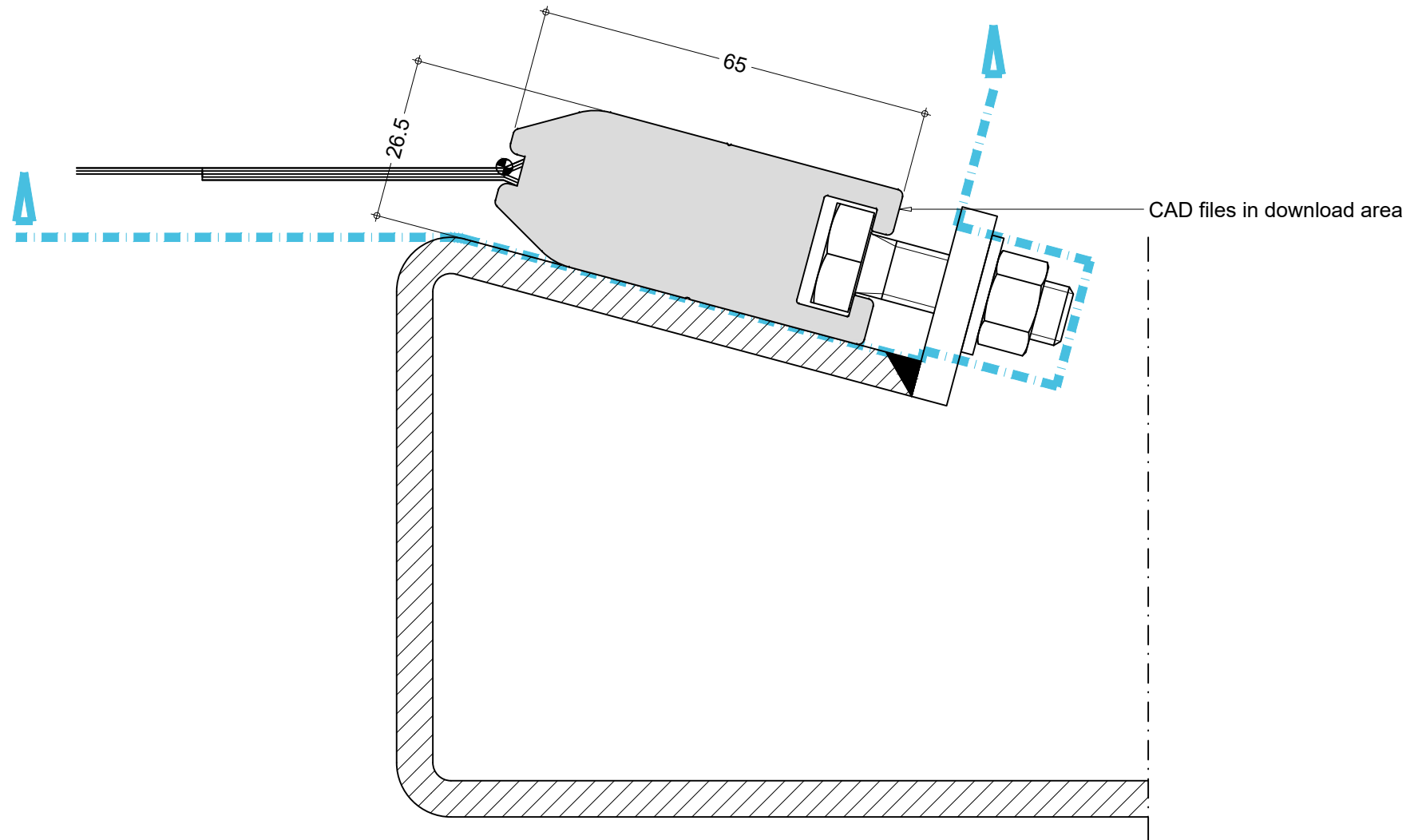
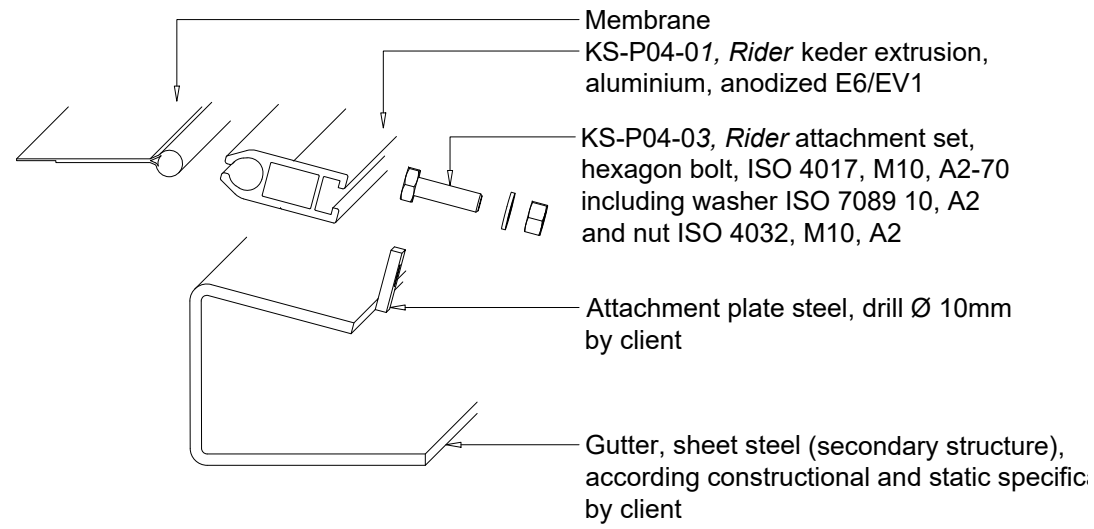
PERSPECTIVE

01
| 06-01

SECTION

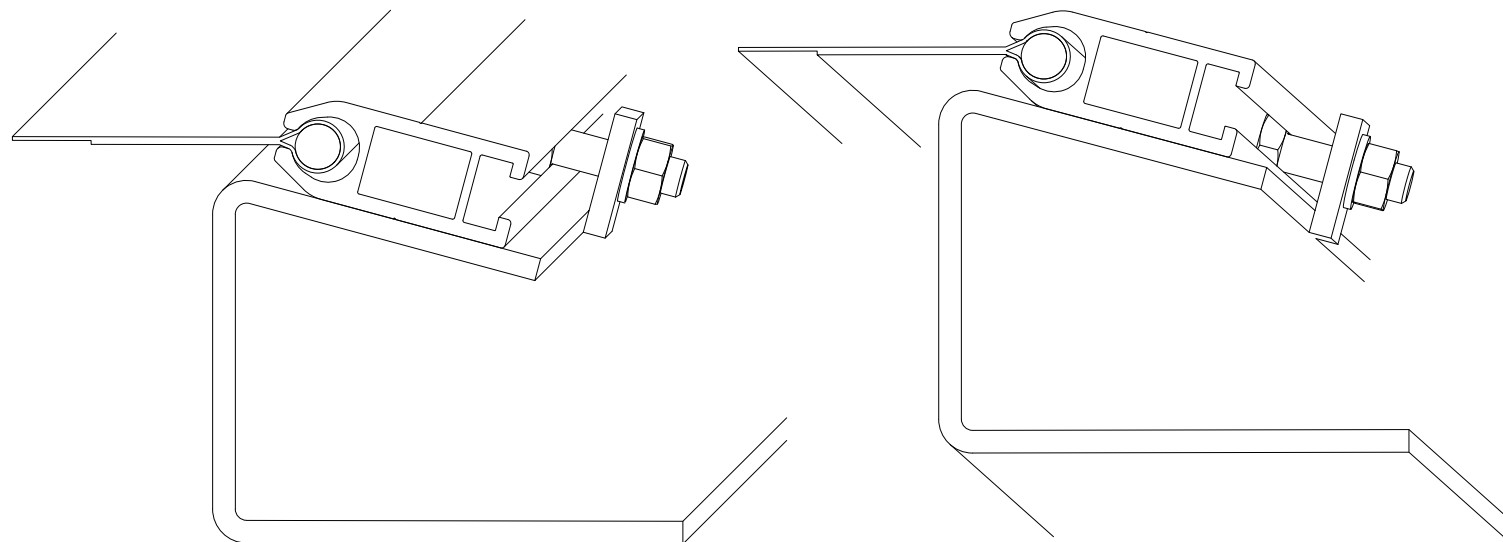
SCALE 1:1


01
| 06-01



PERSPECTIVE

02
| 06-01



Service of konstrukt AG					
 konstrukt AG Am Rossacker 9, 83022 Rosenheim, Germany www.konstrukt-ag.com / info@konstrukt-ag.com	Drawn	Approved	Date	DIN	Rev.
	AW	MJ	2020-10-09	A3	0
	Drawing Name Overview Drawing Fixed with Screw Chanel				
Project KS-P04-03, System Rider					
Rev.	Date	by	Revision		

Privacy & Copyright
 - This drawing and its contents is the intellectual property of the konstrukt AG and thus legally protected! Any use, publication, reproduction, revision, or transfer to third parties requires the written approval of the konstrukt AG.
 - Drawings in PDF format are valid only dated and proved.