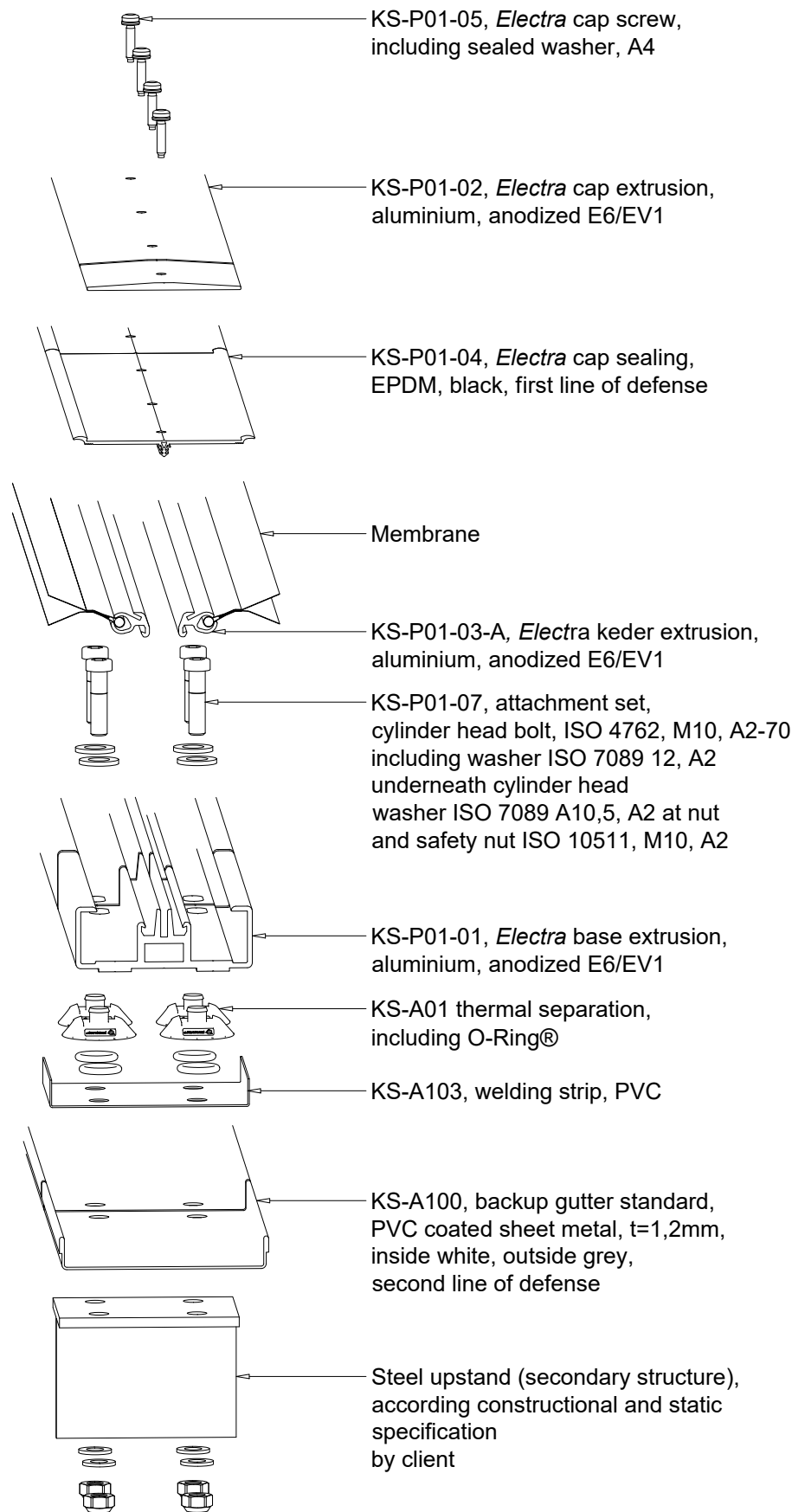


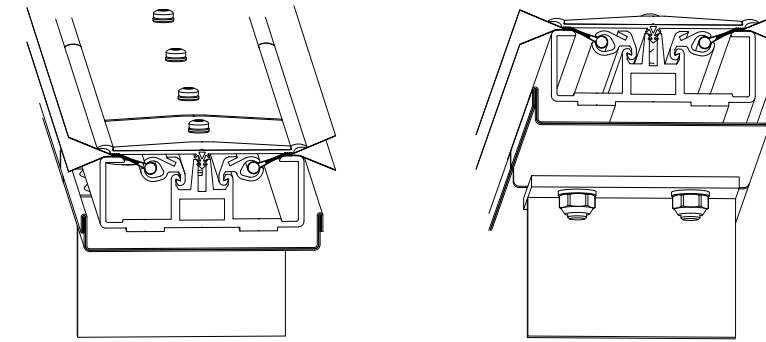
PERSPECTIVE

01
| 06-01



PERSPECTIVE

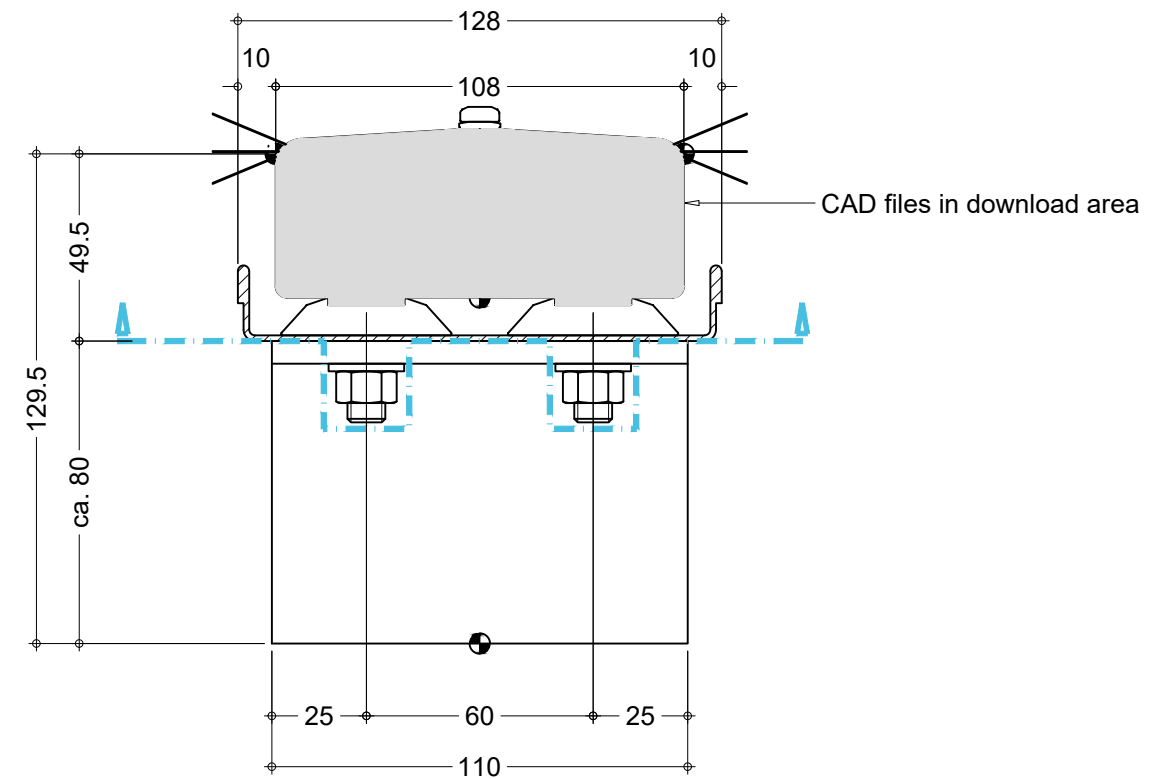
02
| 06-01




SECTION

SCALE 1:2

01
| 06-01



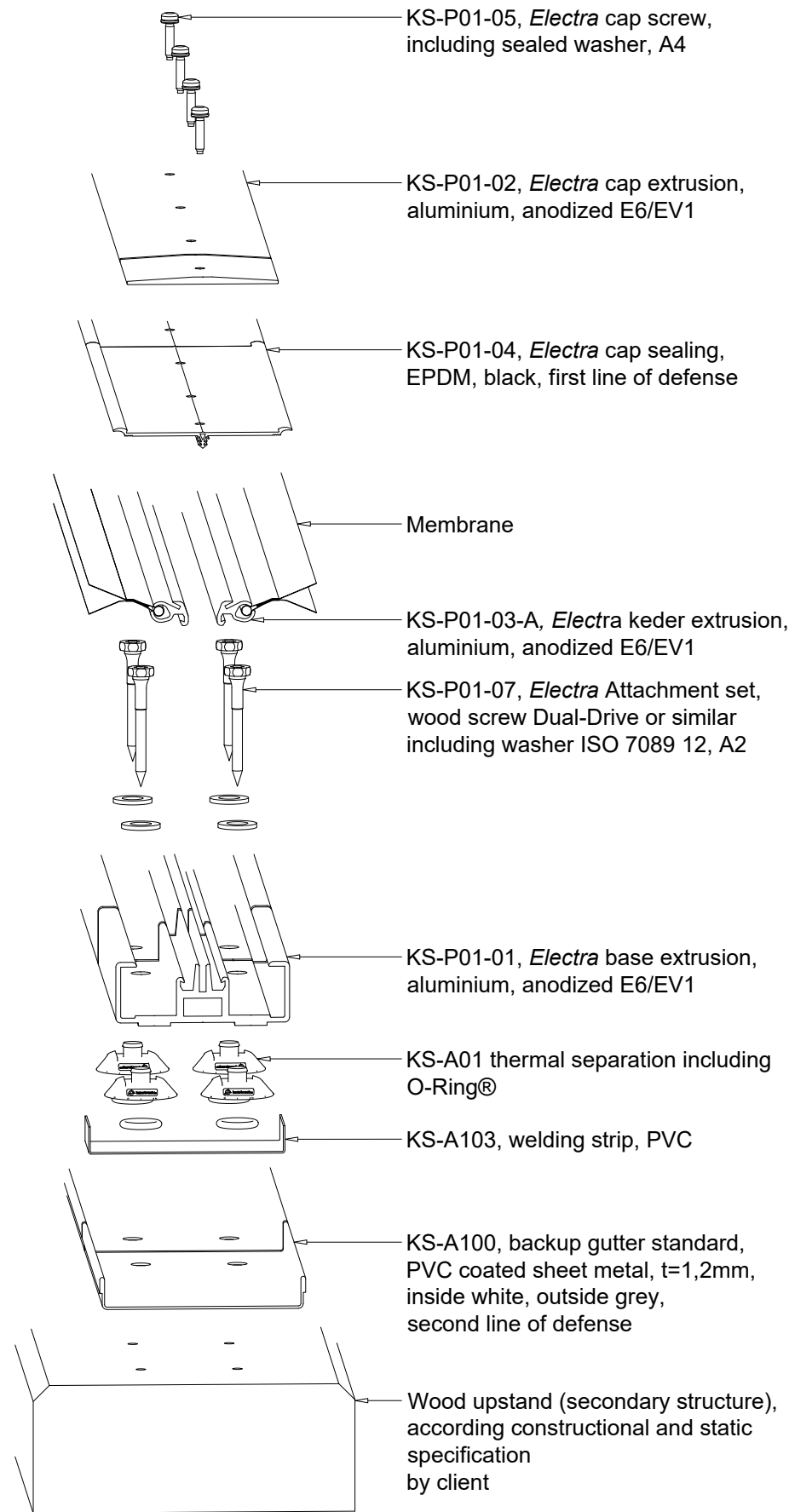
Service of konstrukt AG

| | | | | | |
|---|---|-----------------------|---------------------------|------------------|-------------------------------|
|  konstruct AG Am Rossacker 9, 83022 Rosenheim, Germany www.konstrukt-ag.com / info@konstrukt-ag.com | Drawn AW | Approved MJ | Date 2020-10-09 | DIN A3 | Rev. 0 |
| | Drawing Name Overview Drawing Backup Gutter, Secondary Structure Steel, Bay | | | | |
| Project KS-P01-01, System Electra | | | | | Proj. No. KS-P01-01 |
| Rev. | Date | by | Revision | | |

Privacy & Copyright
 - This drawing and its contents is the intellectual property of the konstrukt AG and thus legally protected! Any use, publication, reproduction, revision, or transfer to third parties requires the written approval of the konstrukt AG.
 - Drawings in PDF format are valid only dated and proved.

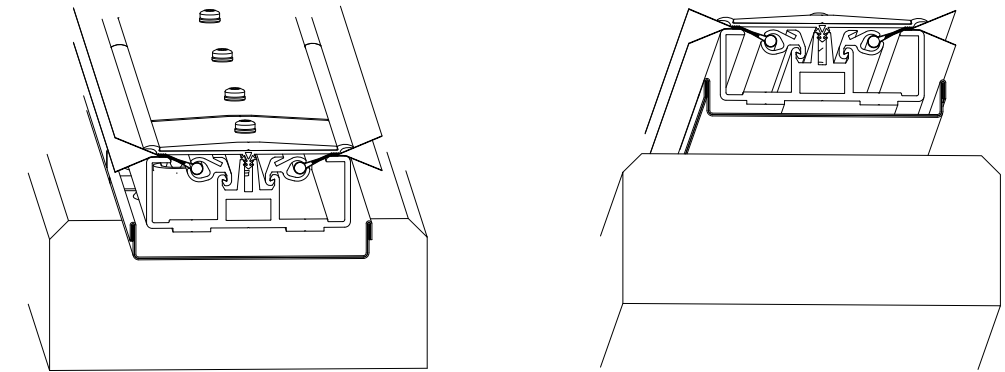
PERSPECTIVE

01
| 06-02



PERSPECTIVE

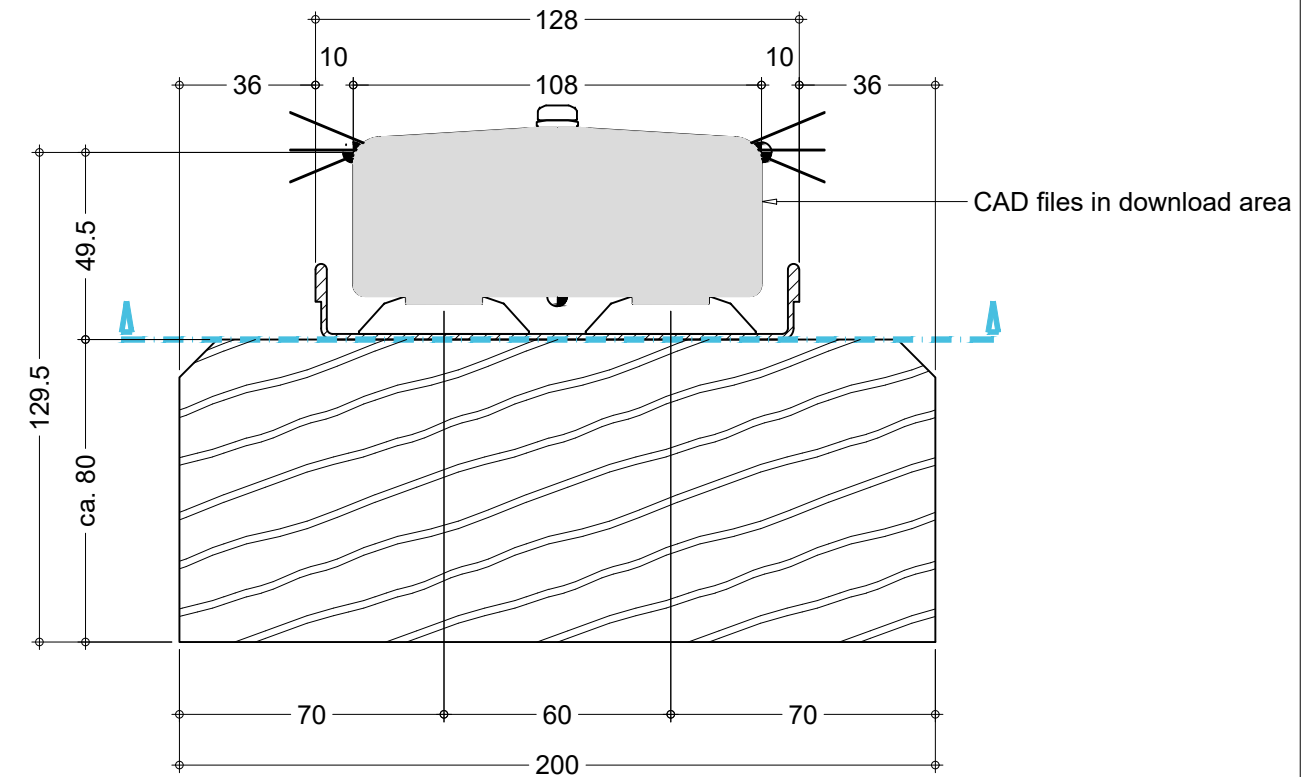
02
| 06-02




SECTION

SCALE 1:2

01
| 06-02



Service of konstrukt AG

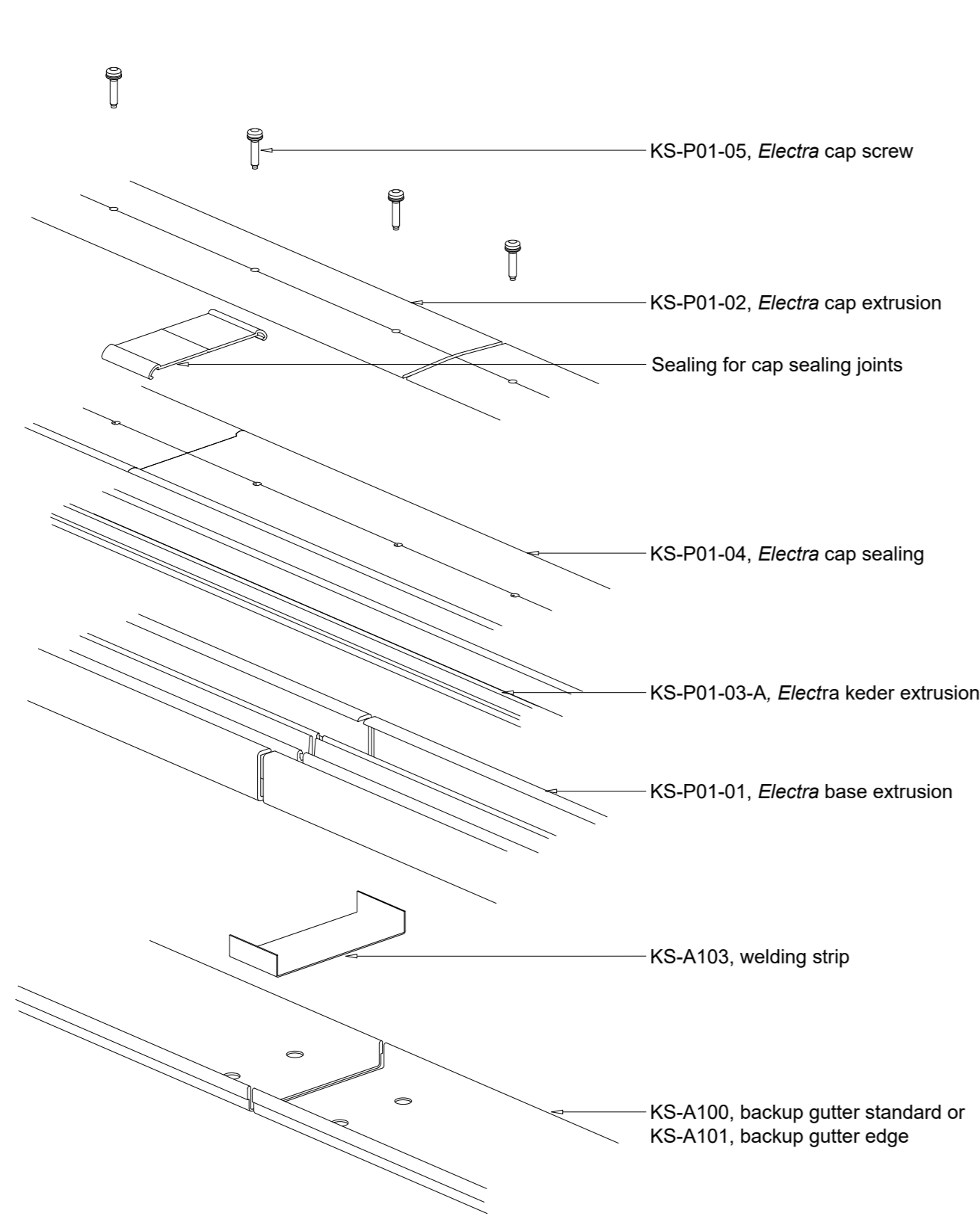
| | | | | | |
|---|--|-----------------------|---------------------------|-------------------------------|--------------------------|
|  konstruct AG Am Rossacker 9, 83022 Rosenheim, Germany www.konstrukt-ag.com / info@konstrukt-ag.com | Drawn AW | Approved MJ | Date 2020-10-09 | DIN A3 | Rev. 0 |
| | Drawing Name Overview Drawing Backup Gutter, Secondary Structure Wood, Bay | | | | Dwg. No. 06-02 |
| Project KS-P01-01, System Electra | | | | Proj. No. KS-P01-01 | Rev. 0 |
| Rev. | Date | by | Revision | | |

Privacy & Copyright
 - This drawing and its contents is the intellectual property of the konstrukt AG and thus legally protected! Any use, publication, reproduction, revision, or transfer to third parties requires the written approval of the konstrukt AG.
 - Drawings in PDF format are valid only dated and proved.

PERSPECTIVE

01

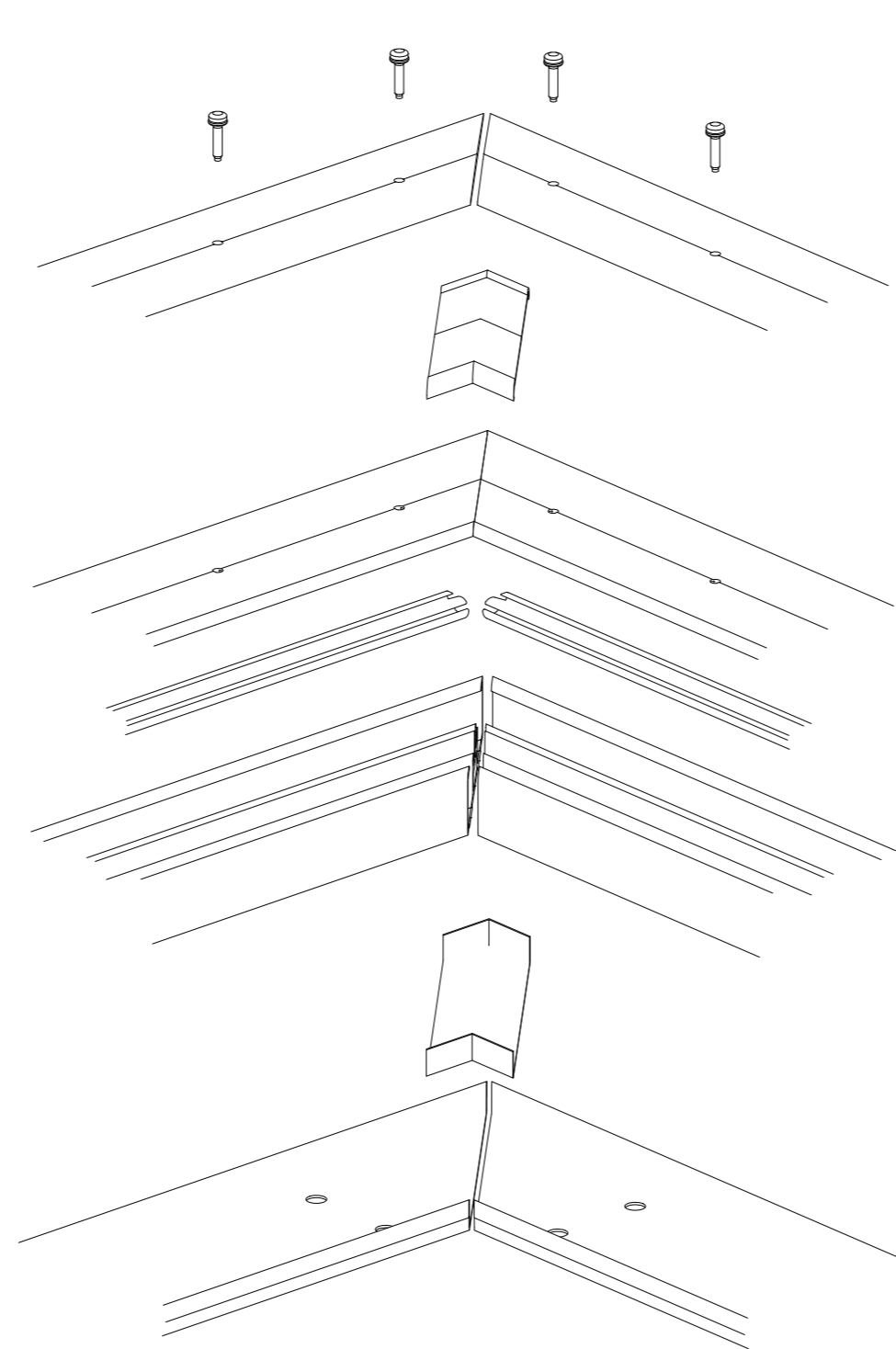
| 06-21



PERSPECTIVE

02

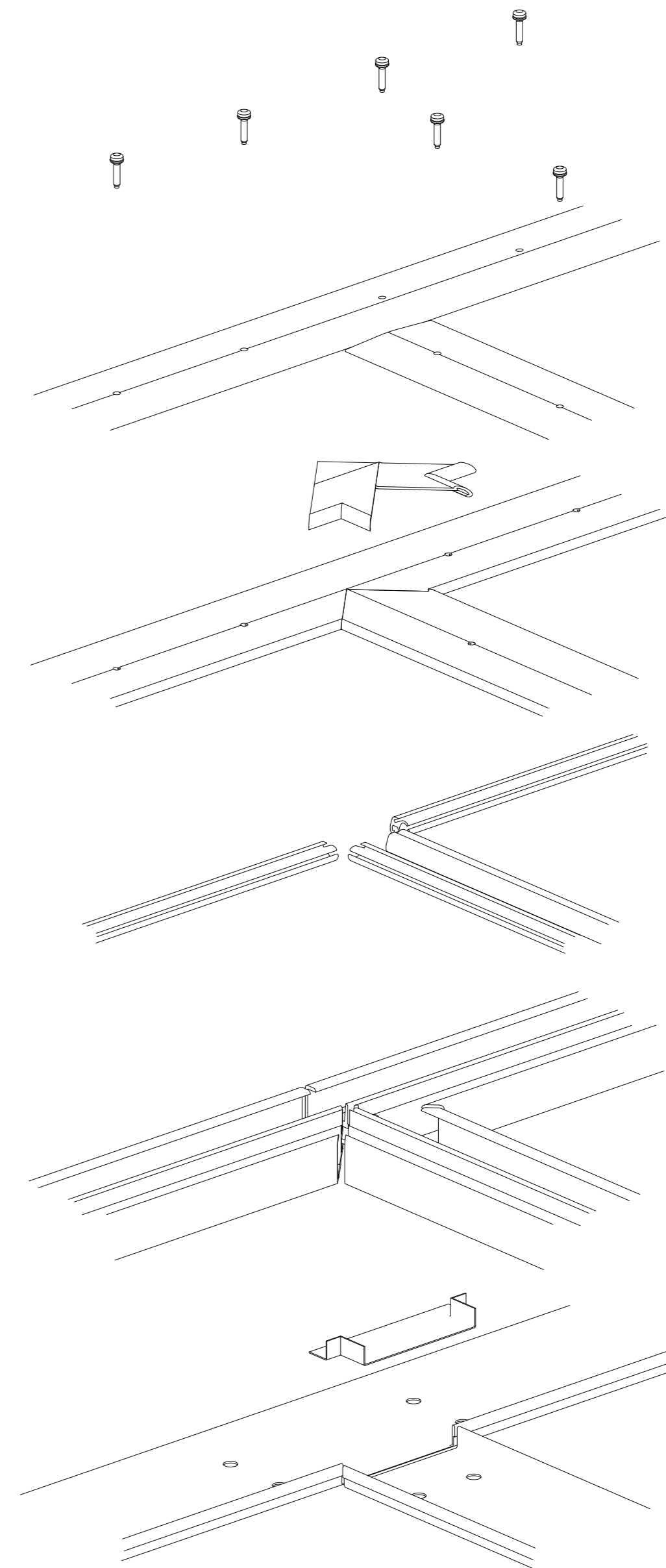
| 06-21




PERSPECTIVE

03

| 06-21



| | | | | | |
|--|---|------------------------|----------------------------|-------------------|---------------------------|
|  <p>konstruct AG Am Rossacker 9, 83022 Rosenheim, Germany www.konstrukt-ag.com / info@konstrukt-ag.com</p> | <p>Drawn AW</p> | <p>Approved MJ</p> | <p>Date 2020-10-09</p> | <p>DIN A1</p> | <p>Rev. 0</p> |
| | <p>Drawing Name Backup Gutter, Joints</p> | | | | |
| <p>Project KS-P01-01, System Electra</p> | | | | | <p>Dwg. No. 06-21</p> |
| <p>Rev.</p> | <p>Date</p> | <p>by</p> | <p>Revision</p> | | |
| <p><small>Privacy & Copyright - This drawing and its contents is the intellectual property of the konstrukt AG and thus legally protected! Any use, publication, reproduction, revision, or transfer to third parties requires the written approval of the konstrukt AG. - Drawings in PDF format are valid only dated and proved.</small></p> | | | | | |