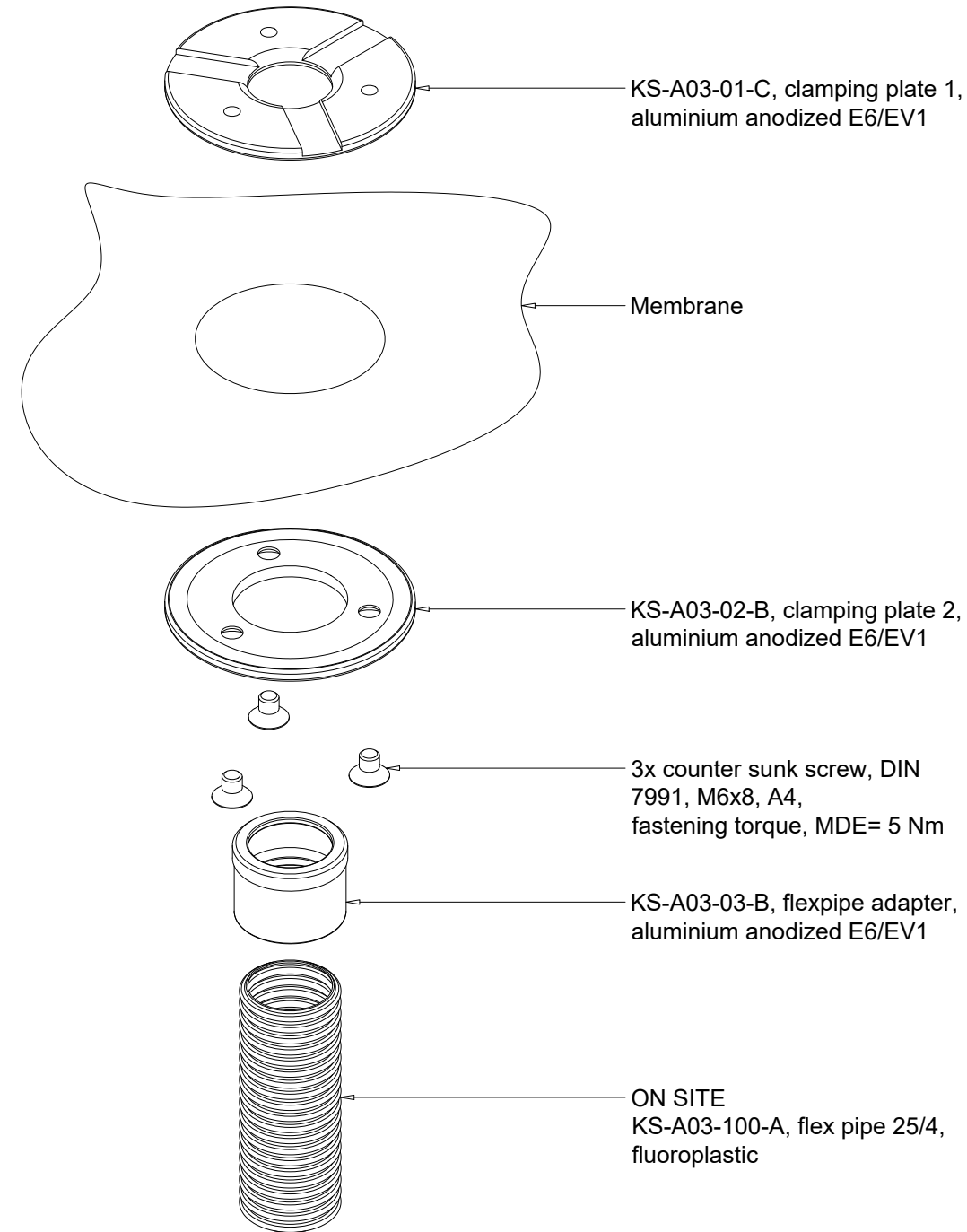


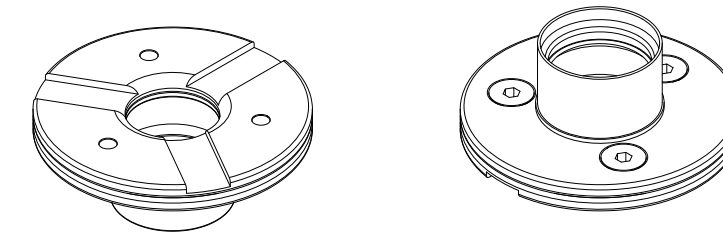
PERSPECTIVE

01
| 06-01



PERSPECTIVE

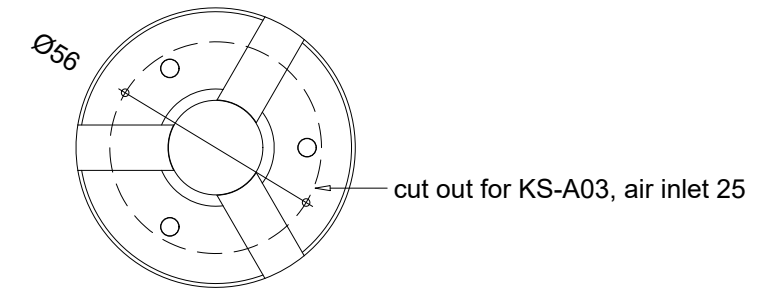
02
| 06-01



TOP VIEW

SCALE 1:2

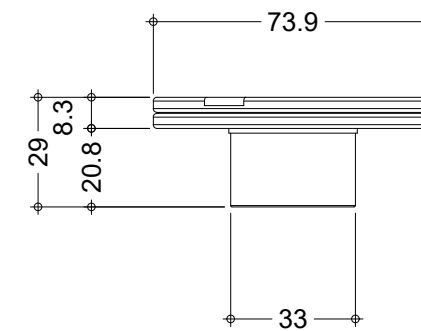
01
| 06-01



ELEVATION

SCALE 1:2

01
| 06-01



CAD files in download area



konstruct AG

Am Rossacker 9, 83022 Rosenheim, Germany
www.konstrukt-ag.com / info@konstrukt-ag.com

Drawn AW	Approved MJ	Date 2020-10-09	DIN A3	Rev. 0
Drawing Name Overview Drawing				Dwg. No. 06-01
Project KS-A03, Air Inlet 25				Proj. No. KS-A03
Rev.	Date	by	Revision	

Privacy & Copyright

- This drawing and its contents is the intellectual property of the konstrukt AG and thus legally protected! Any use, publication, reproduction, revision, or transfer to third parties requires the written approval of the konstrukt AG.
- Drawings in PDF format are valid only dated and proved.